

DATA SHEET

Environmental

- Temperature/Humidity
Operational: -40 to +65C/ 10% to 90% non condensing
Storage: -40 to +85C / 10% to 90% non condensing
- IP65 rated
- IK09 high impact resistant
- UV protection/salt ingress, protected by enclosure

Electrical

- 24+/-6VDC input voltage
- 250mW nominal power consumption
- 27VDC max on DALI and LSI input pins
- All interfaces ESD protected

Dimensions

80mm diameter x 40mm height

Configuration data storage

- Highly secured storage in cloud
- System access controlled by system owner
- All data encrypted for privacy and security

MTTF (Mean Time To Failure)*

>100 000 hours

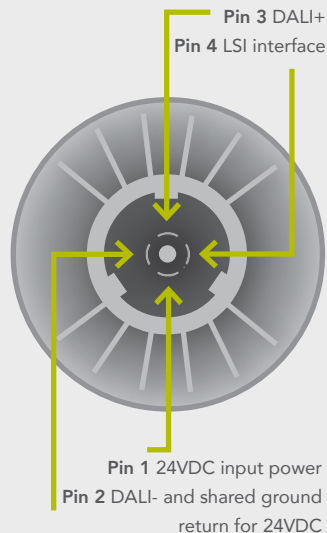
Conformance

- CE/RED
Radio: EN300328 v2.2.2
EMC: EN 301 489-1, EN 301 489-3, EN 301 489-17
Electrical Safety: EN 62311, EN 62368-1+A11, EN 60950-22
- Environmental
IEC 60068-1, IEC 60068-2

*MTTF verified through HALT/HASS testing

FEATURES

- Zhaga book 18 compliant hardware
- Astronomical time triggering of scenes
- Time triggering of scenes
- Presence detection scene triggering through LSI interface
- Use smartphone app to set up scenes and groups
- Up to 6ch DALI DT6, CW WW RGB A/W
- Support for multiple DALI drivers



For orders contact
sales@lumenradio.com
For support contact
help@lumenradio.com
Release 1.0 2020



Wireless mesh outdoor lighting control



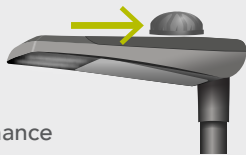
INSTALLING AIRGLOW

1. Start with a centrally located luminaire. Twist and lock AirGlow into place.

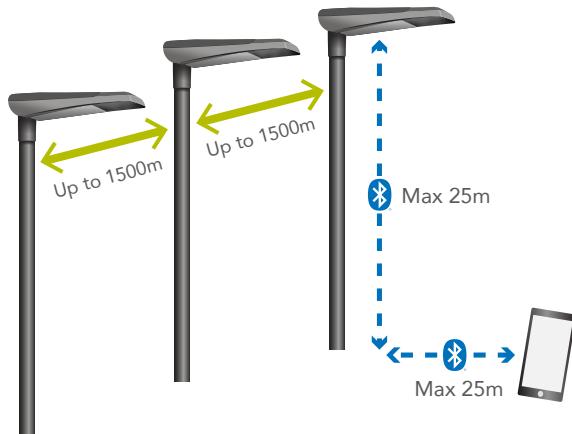


2. Discover the AirGlow unit using app and start commissioning process
3. Done! Move to next AirGlow

AirGlow shall be horizontally mounted for optimal performance



RANGE



Wireless range

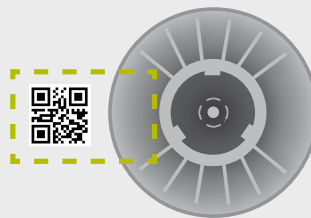
Up to 1500m line of sight between AirGlow

Bluetooth range

Max 25m pole height
Max 25m from pole

REPLACING AIRGLOW

1. Locate the malfunctioning AirGlow using the app's test mode



2. Detach the identified malfunctioning AirGlow. Scan QR code in app to download the configuration from cloud.

3. Twist and lock new AirGlow into place. Power up and discover new AirGlow using app. The correct configuration will be uploaded to the new AirGlow.

